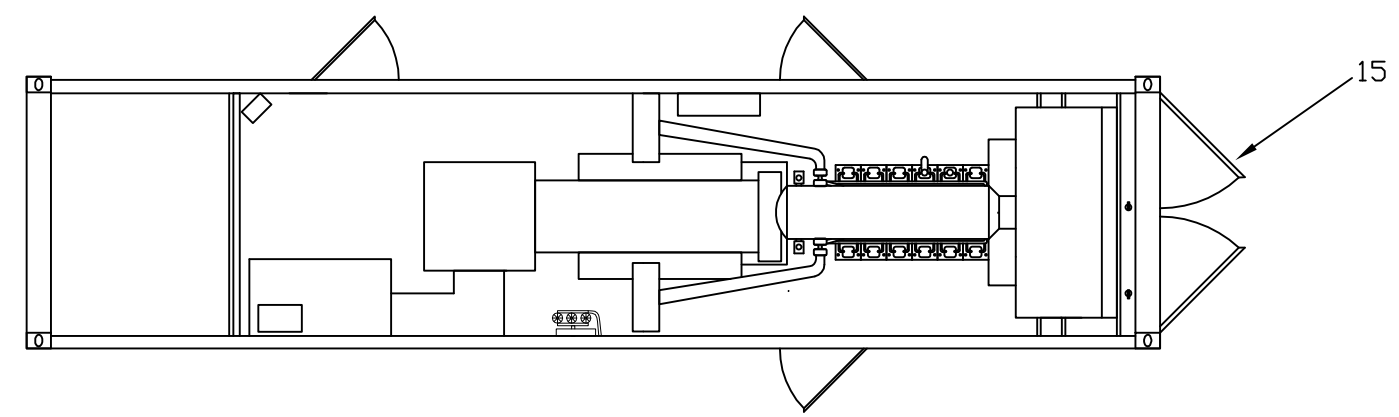
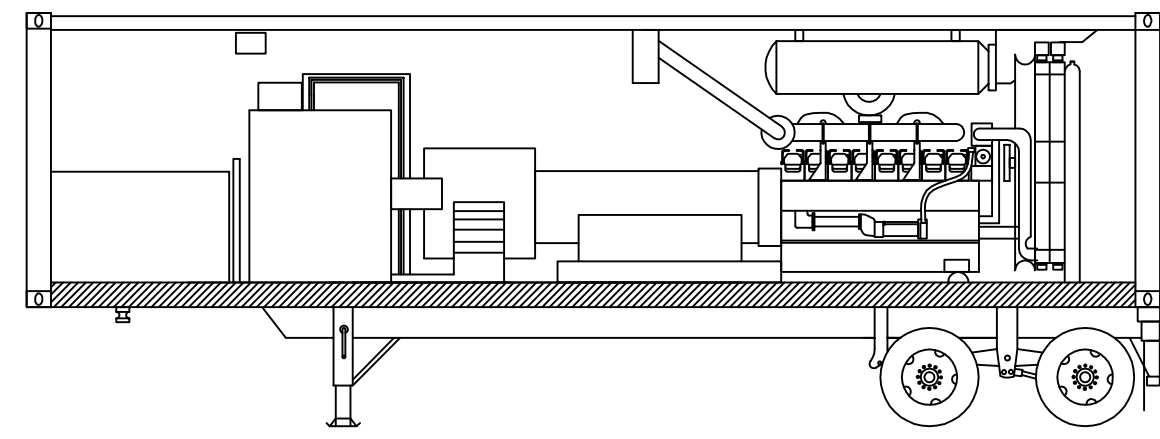


TECHNICAL DATA

- (1) CABLE ACCESS COMPARTMENT 600V/480V
- (2) FUEL TANK
- (3) PERSONNEL ENTRANCE DOOR
- (4) AIR INLET
- (5) 3500B ENGINE
- (6) MUFFLERS
- (7) ENGINE
- (8) RADIATOR
- (9) EXHAUST
- (10) FUEL/WATER SEPARATORS
- (11) TRANSFORMER
- (12) SWITCHGEAR
- (13) GENERATOR
- (14) BATTERIES
- (15) REAR DOORS
- (16) BATTERY CHARGER
- (17) EXHAUST (OPTION)
- (18) CIRCUIT BREAKER AND OUTLETS
- (19) FUEL TRANSFER PUMP
- (20) CONTROL PANEL FOR THE FUEL TRANSFER SYSTEM
- (21) OUTSIDE DOOR FOR THE FUEL FILLER (OPTION)
- (22) REAR DOORS
- (23) CABLE ACCESS DOORS FOR 600V & 480V



| GENERATOR SET | POWER | VOLTAGE | CURRENT PRIME @ 0.8PF | CURRENT STBY @ 0.8PF | FREQUENCY | FUEL TANK CAPACITY | FUEL CONSUMPTION (75% LOAD) | FUEL CONSUMPTION (100% LOAD) |
|---------------|--------|----------------|-----------------------|----------------------|-----------|--------------------|-----------------------------|------------------------------|
| L.M.49 | 1250KW | 600V/480V/416V | 1300A/1700A/2000A | 1500A/1900A/2200A | 60 HZ | 5000 LITERS | 378.1 L/HR | 504.7 L/HR |

| | |
|------------------------------------|-----------------|
| 1E2733 | DRAWING-AUTOCAD |
| 1E0011 | INTPR & TOL |
| SPEC NO. | NAME |
| DRN | |
| CHK | |
| APPD | |
| SCALE | |
| SHEET 1 | 15AUG06 |
| DATE | |
| | |
| INSTRUCTION-SWGR 600V/480V/416V | |