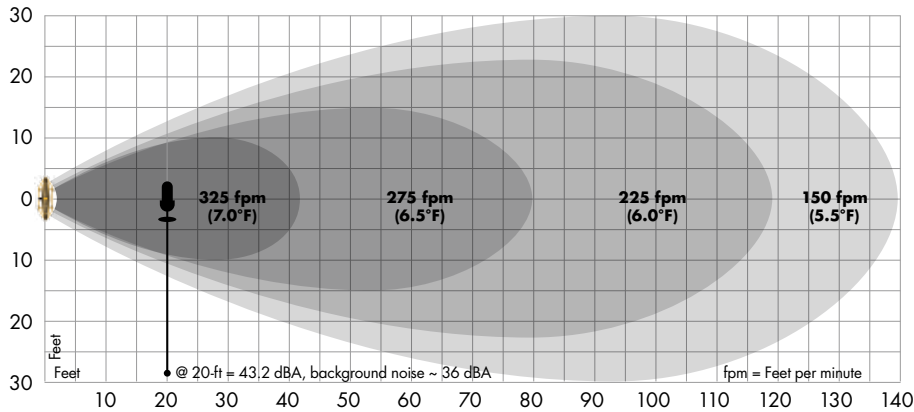
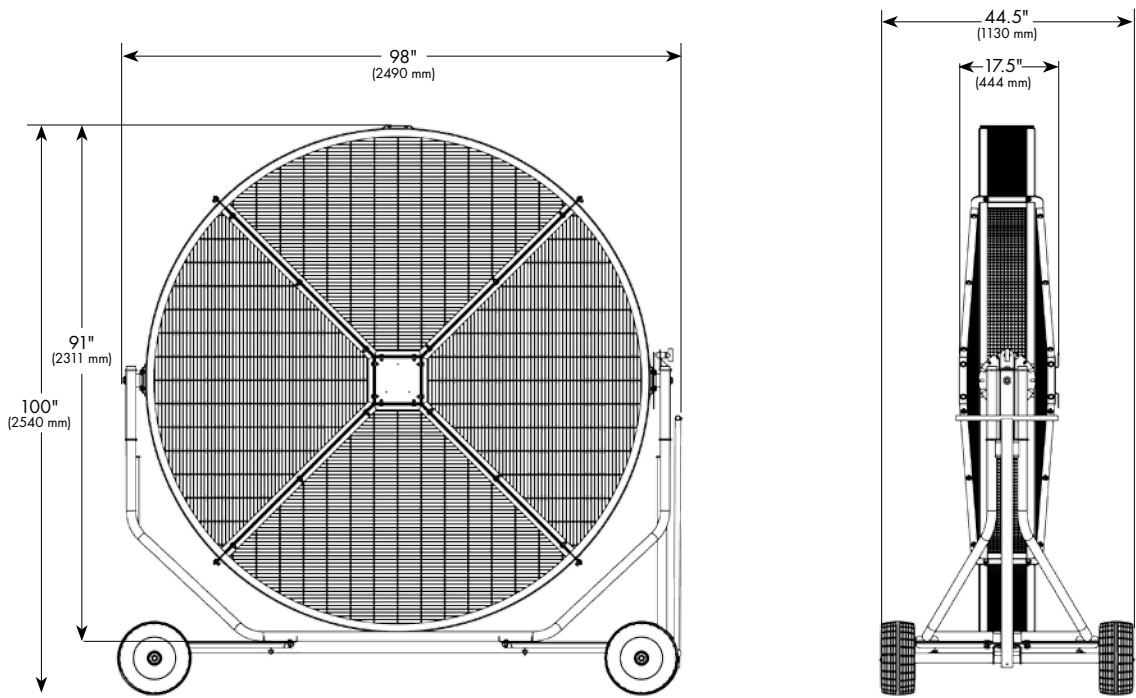




TECHNICAL SPECIFICATIONS

Technical Specifications	
Dimensions (W x H x D)	98" (2490 mm) x 100" (2540 mm) x 44.5" (1130 mm)
Cage	OSHA compliant
Controller	AirGo variable speed control
Input power	100-125 VAC, 1 Φ , 15 A
Motor	0.5 HP (0.37 kW)
Maximum speed	180 RPM
Maximum amps	12 A
Sound level (maximum speed)*	43.2 dBA
Weight (as shown)	600 lbs (272 kg)

*dBA as measured 20' from fan center, background noise ~ 33 - 36 dBA



- Air speeds are the average velocity for each zone
- Air speeds were measured 67" from the floor
- Perceived cooling (parentheses) based on ASHRAE Thermal Comfort Tool (air temp 85°F, relative humidity 50%, clo 0.5)

May be covered by one or more of the following U.S. Patents: 6,244,821; 6,589,016; 6,817,835; 6,939,108; 7,252,478; 7,284,960; D587,799; D607,988 and other patents pending.

BIG ASS FANS
 WWW.BIGASSFANS.COM
 An ISO 9001:2008 certified company
 No Equal.

Big Ass Fans
 800 Winchester Road
 Lexington, KY 40505
 877-BIG FANS
 (877-244-3267)
 www.BigAssFans.com